

API Connect SaaS - Reserved Instance, Managed Events (Kafka), & DataPower Gateway Kafka

Newton Piccone, Offering Manager



Agenda

1. What is Reserved Instance?
 - What is new with version 10?
2. What is Kafka?
 - DataPower and Kafka Integration
 - Use cases
3. Coming Soon...
 - APIC Managed Kafka

API Connect v10 Reserved Instance

IBM managed

Fully managed control and data planes run by cloud and API management experts. 24x7 support with 99.9% uptime guarantees.

IBM Cloud-integrated

API Connect now works alongside the IBM Cloud platform and integrates with value-added services like logging and activity tracking for greater visibility across your deployment.

Customizable

API Connect Reserved Instances enable **self-service** customizations to better fit your architecture. Easily attach remote gateways and manage provider organizations.



Analytics offload



Remote gateways

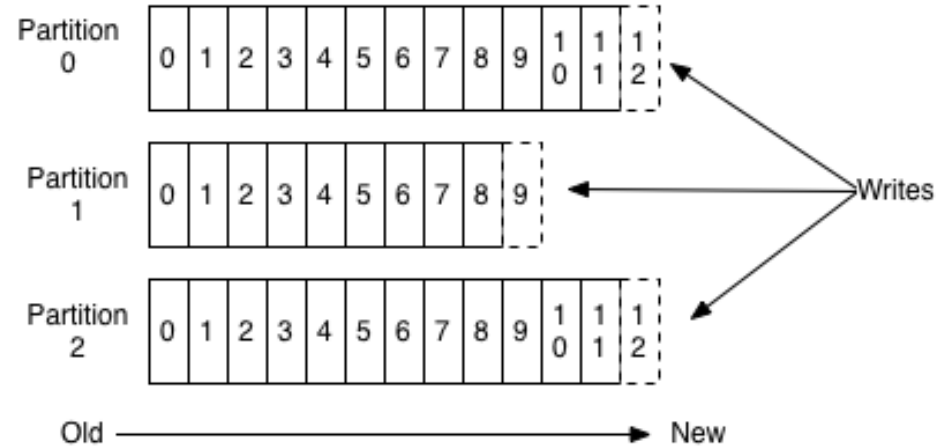
Flexible topology

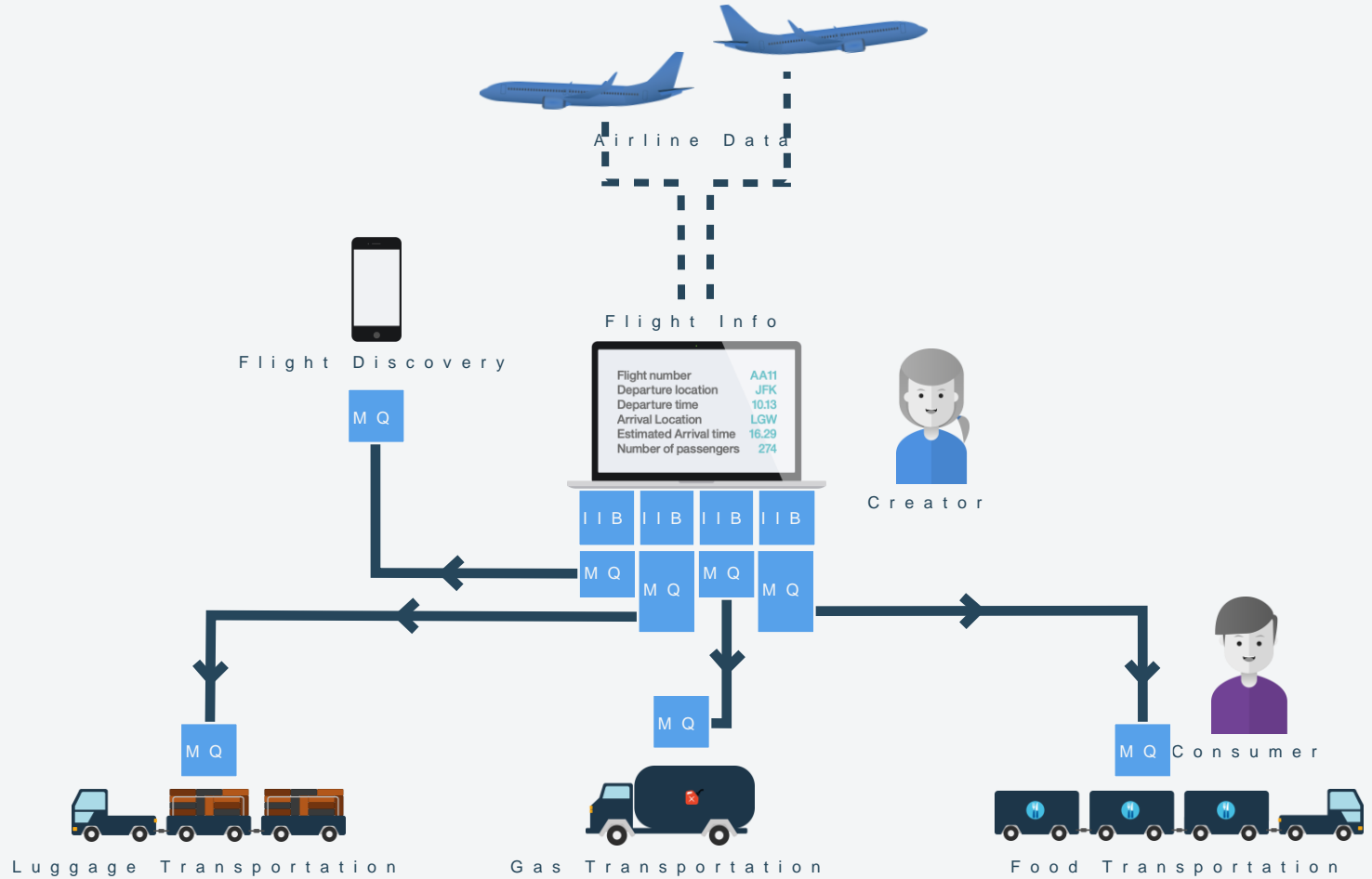
Depending on your availability needs, deploy **single** or **multi-zone** clusters in the region or datacenter of your choice.

What is Kafka?

- Kafka is an Apache streaming project for high performance, reliable storage and distribution of messages
- Topics are used as destination and source of messages
- Consumers request messages from a given topic
- Producers generate messages and places them into a given topic
- Topics are typically partitioned and replicated across multiple brokers for high availability
- Writes are sequential within a topic partition
- Consumer groups provide load balancing of multiple consumers on the same topic. Only one consumer receives a message

Anatomy of a Topic

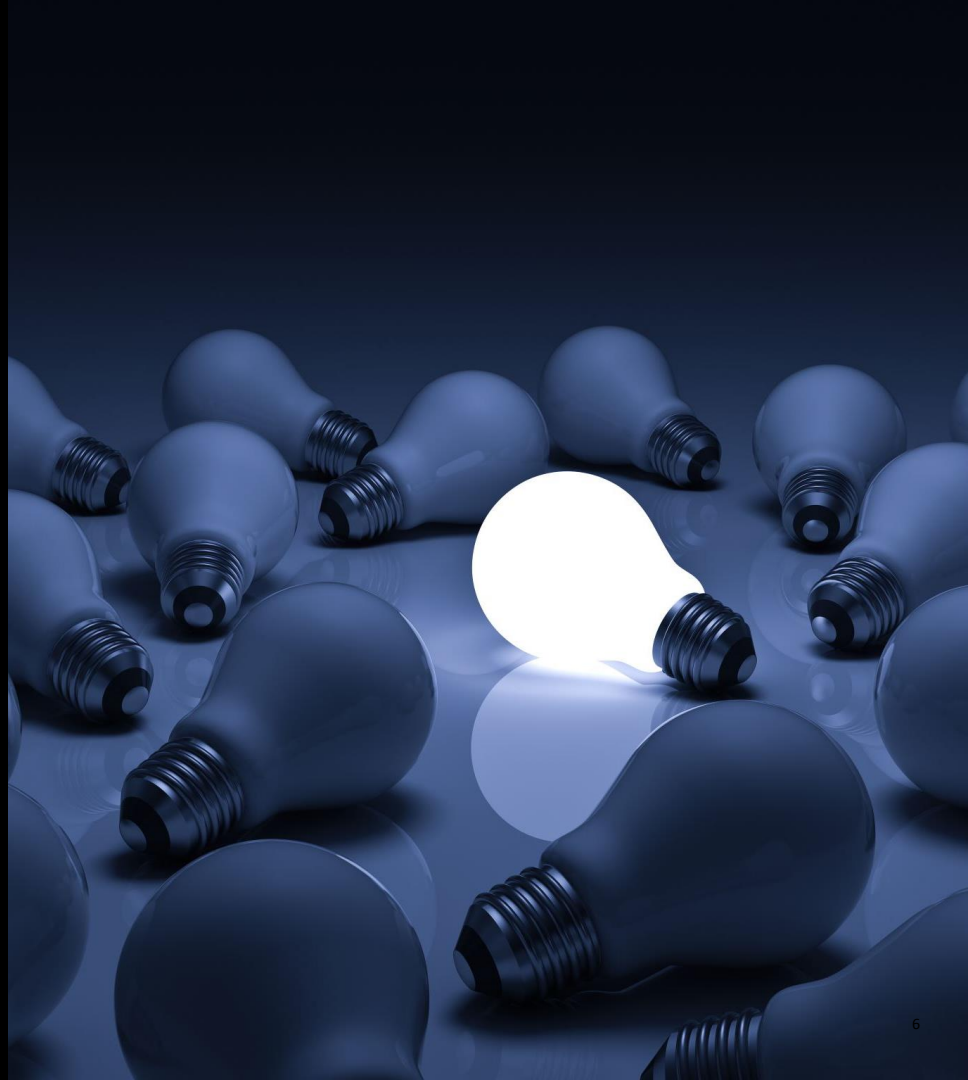




DataPower and Kafka

Extend event architectures bridging diverse protocols and unlocking gateway security capabilities

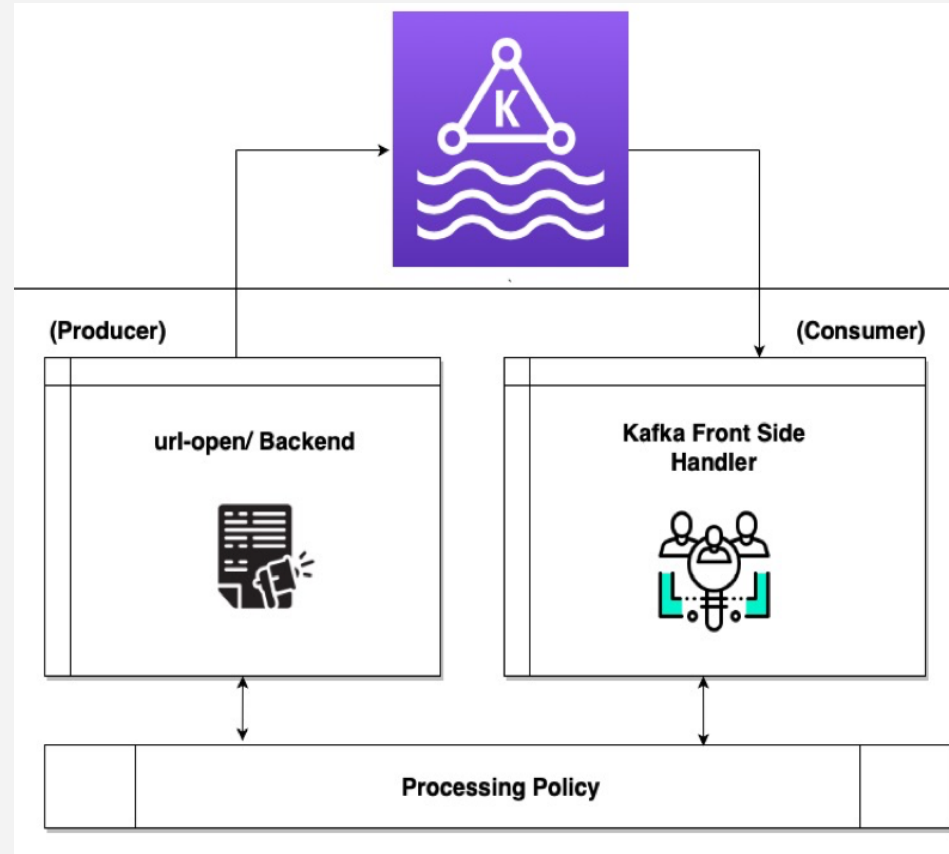
Secure integration gateway for modern, cloud native event architectures

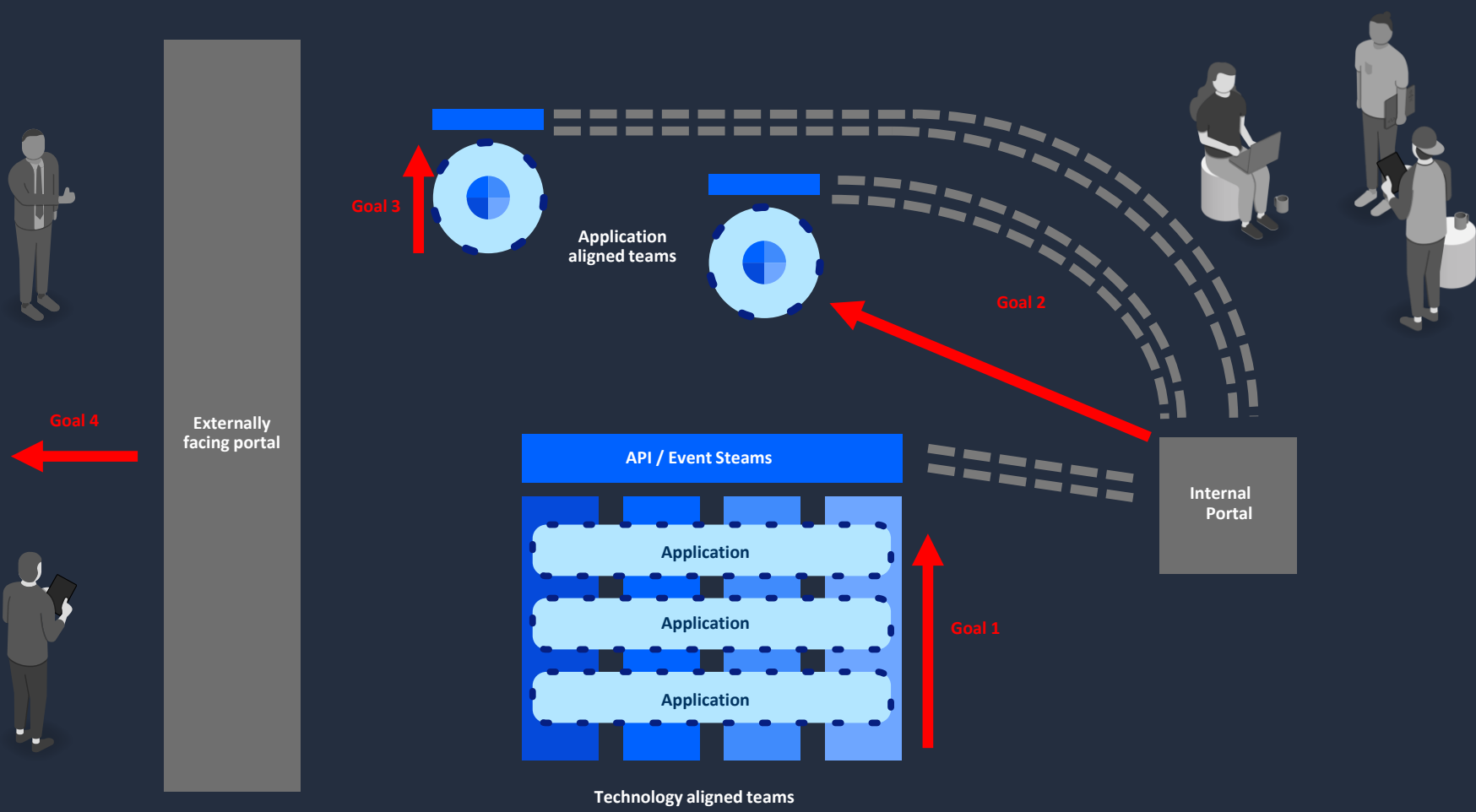


DataPower and Kafka Use Cases

1. Protocol Translation to Kafka
2. Kafka Extension with additional security protocols
3. DataPower protecting traffic into a datacenter
4. Secure Kafka communication between data centers

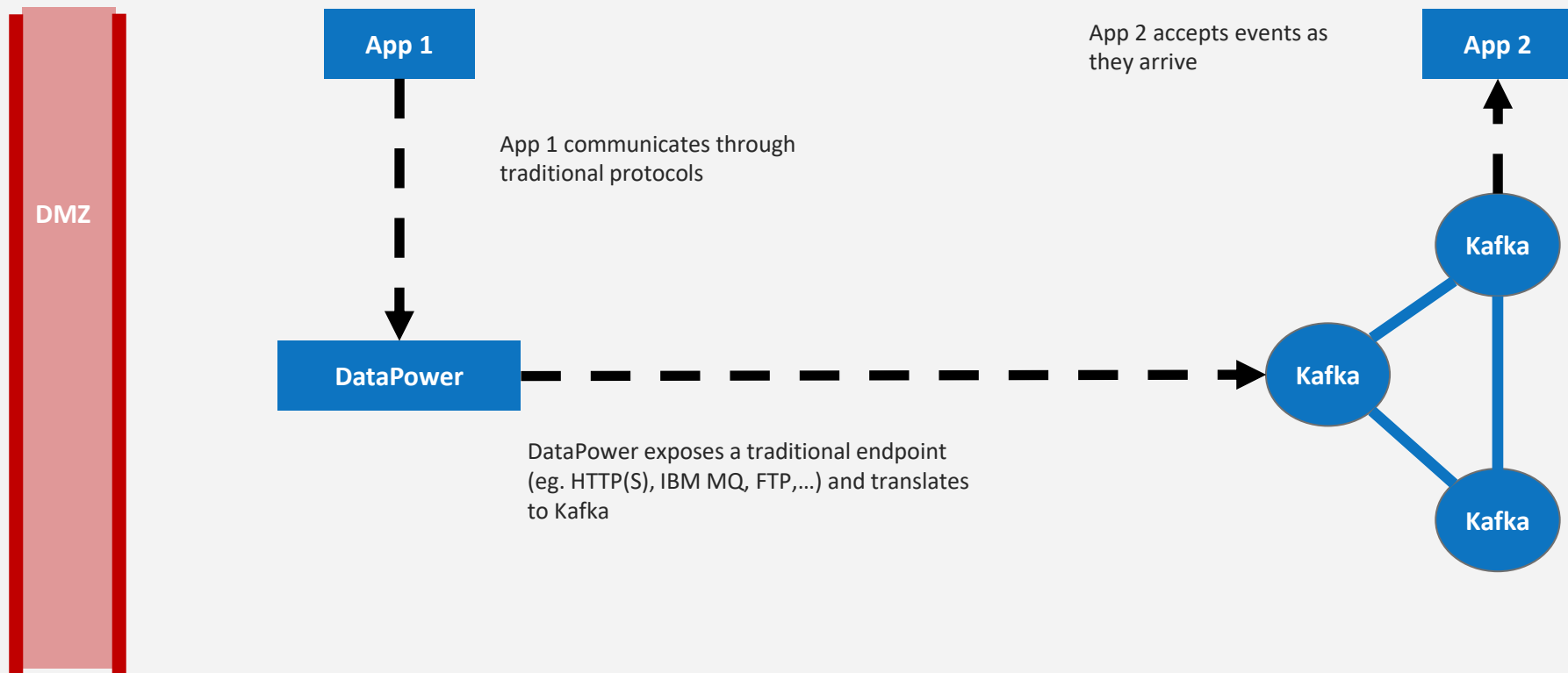
[Check out the TechCon replays!](#)





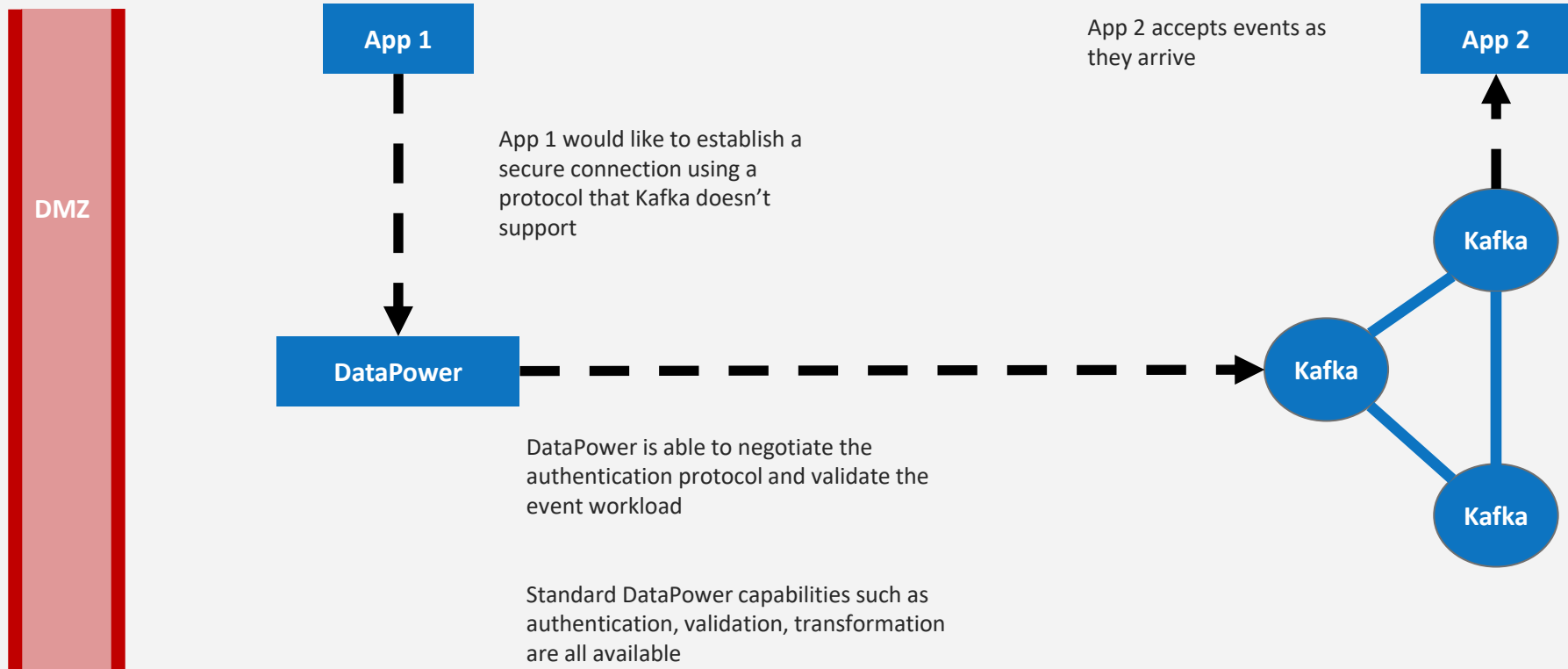
Scenario 1: Protocol translation to Kafka

Protocol translation to extend data plane that can interact with Kafka

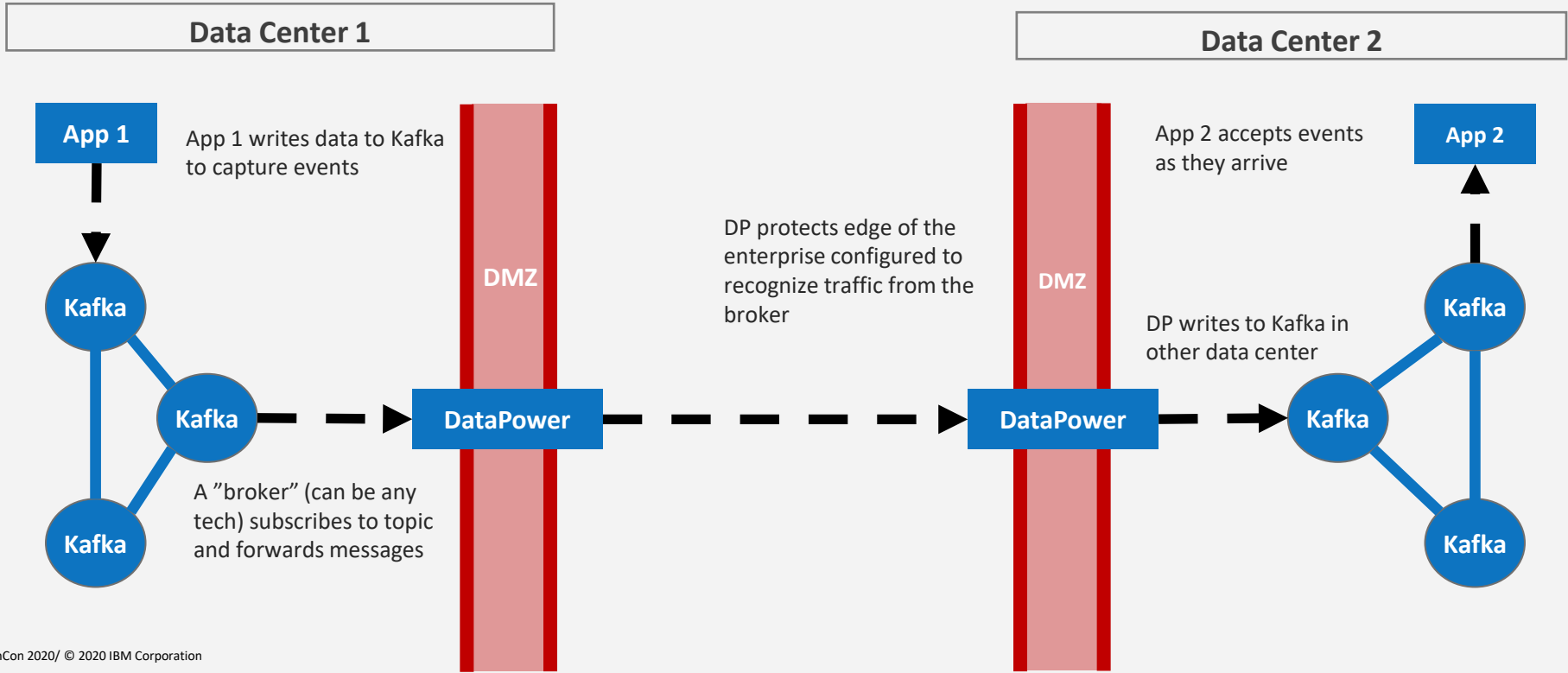


Scenario 2: Kafka extension with additional security protocols

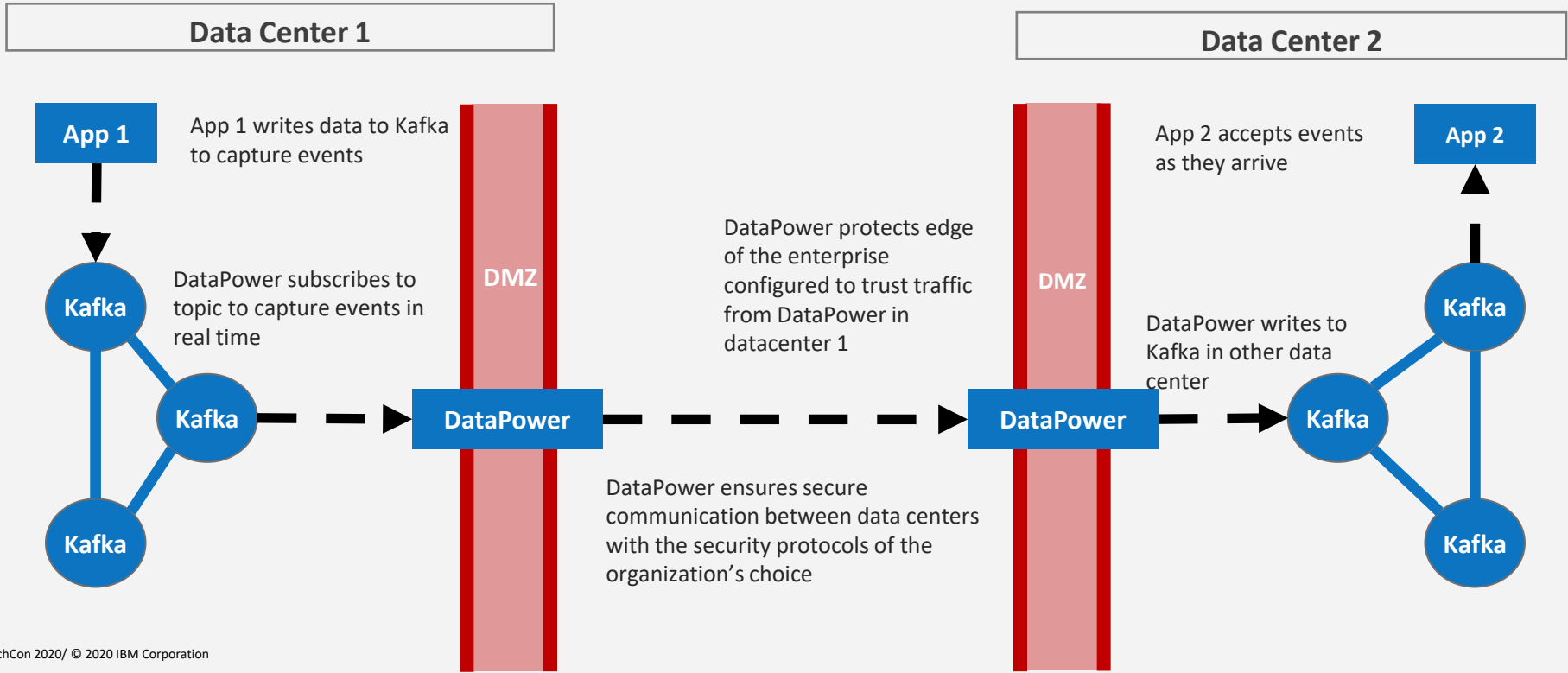
Secure traffic across organization zones using a flexible set of secure protocols



Scenario 3: DP protecting traffic into data center



Scenario 4: Secure Kafka communication between data centers



Making Events More Accessible



Easily found, quickly consumed

- Catalogued and discoverable
- Described
- Self-service consumption
- Policy controlled access



De-coupled infrastructure

- No technology ties between producers and consumers
- No operational ties between producers and consumers



Consumed reliably

- Consumption options suitable for many application types
- Replay history, durable subs, horizontal scale



Delivered in time to be useful

- Latency measured in seconds not minutes
- Delivered rather than polled